

## QUICK GUIDE

The ListenIR portable system has everything you need to quickly provide an assistive listening solution.

Included in the kit:

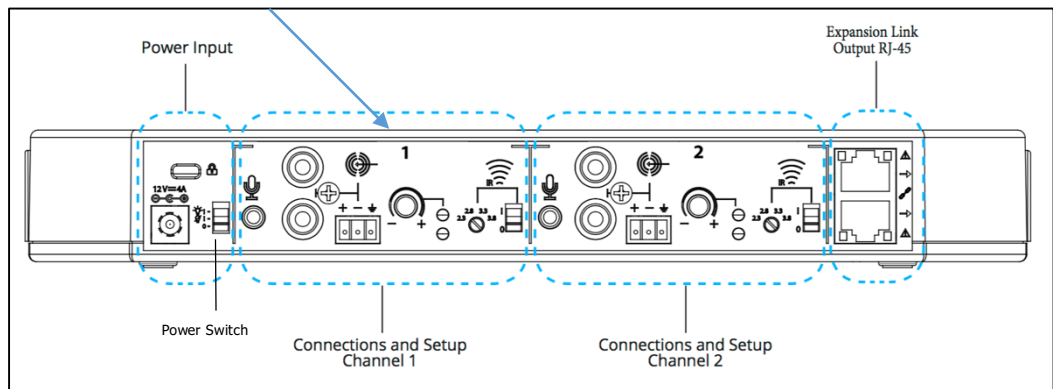
- The LT84 transmitter
- Power supply
- Table top tripod
- Connecting cables
- Mounting hardware if system is being permanently installed
- Personal receivers and/or Stethoscope style receiver
- Headsets
- Cleaning wipes
- Batteries



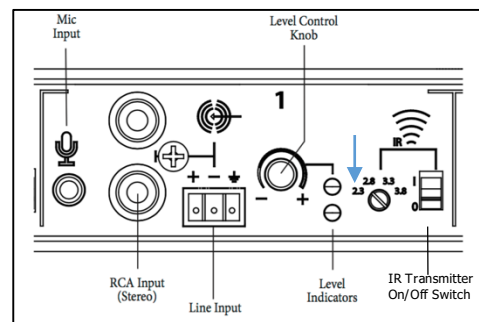
## SETUP

**Use the Channel 1 section on the transmitter.**

1. Connect the transmitter using the power cord and power supply unit.
2. Plug in the power cable and flip the power switch to the top position, the light indicates the unit is on.



3. Plug in the supplied microphone.
4. Test the microphone to ensure the volume is set correctly. Turn the Level control knob until the green light flickers or stays on.
5. Place the microphone in the center of the bench in front of the judge. When using the system in the jury deliberation room place the microphone in the center of the table.
6. Check the transmitter frequency setting. It should be set to 2.3 MHz, which matches the IR frequencies of the receivers.



7. Place the IR Transmission switch to the top position to send the IR signal out to the room.

## Tripod Mount

1. Use the tripod to raise the transmitter off the table.
2. Direct the front of the IR transmitter to face the courtroom participants.



## RECEIVER SETUP

### Stethoscope-Style Receiver

1. Power on the stethoscope style receiver.
2. Press the SEL button to select Channel 1 to match the transmitter.
3. A light will indicate which of the 4 channels is selected.
4. The front of the stethoscope receiver must face the IR transmitter.
5. On the rear of the receiver is the battery compartment.
6. Slide open the compartment and insert 2 AAA alkaline batteries.
7. Clean the headset ear pads with the alcohol wipes in the presence of the individual requesting the listening assistive system.



### Headset Receiver

1. Press and hold the Power Button, on the top of the receiver, to turn the receiver on.
2. The receiver will display the battery status and the designated Channel 1.
3. Adjust the volume to the headset by pressing the up and down buttons on the front of the receiver.
4. To protect the users, at power up the receiver automatically sets the volume to 25%.
5. Press and hold the Power Button, on the top of the receiver, for 3 seconds to turn the receiver off.



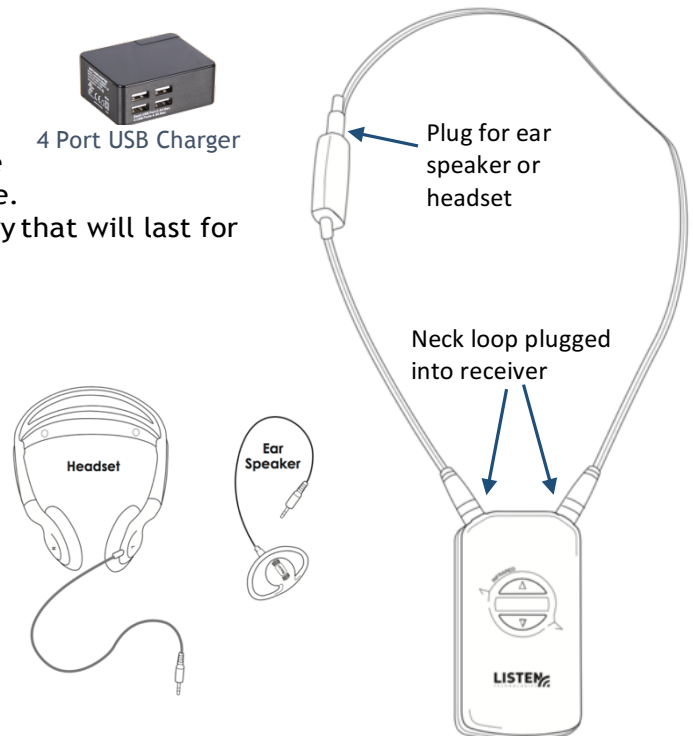
### Charging Headset Receiver

1. The unit is charged with a standard USB charging cable and a 4 port charger provided with the system.
2. When connected to the 4 port charger, a blinking light next to the power button on the receiver, indicates the receiver is charging. A solid light indicates a full charge.
3. These receivers utilize a replaceable lithium ion battery that will last for 3-5 years based on usage.
4. Charge the receivers prior to use.



### Headsets

1. Plug in the neck loop lanyard into the two 3.5 mm jacks on the receiver.
2. Connect either the ear speaker or the standard headset to the 3.5 mm jack on the lanyard.
3. The lanyard neck loop is placed over the head.
4. The front of the unit must face the IR transmitter.
5. Clean the headset ear pads with the alcohol wipes in the presence of the individual requesting the listening assistive system.



### T-Coil

1. For hearing aids with T-coil compatibility only the neck loop lanyard and receiver are necessary.
2. The individual using the IR receiver will set their hearing aid into the correct mode for T-coil use.
3. The audio is sent to the hearing aid wirelessly from the lanyard connected to the receiver, the receiver volume controls work the same as with a headset.



Example of a hearing aid T switch